

5-PANEL SHOWER WALL KIT CARRARA WHITE 48" x 34" x 78"

Model #: GFS483478-DR

Includes walls, side panel, tape, optional beveled outer edge and trim edge

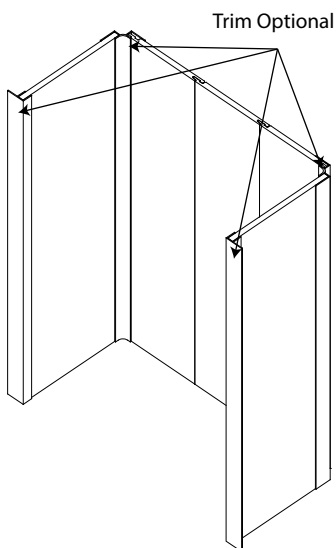
Can be installed over waterproof backer board or existing tile

Grout-Free Solution

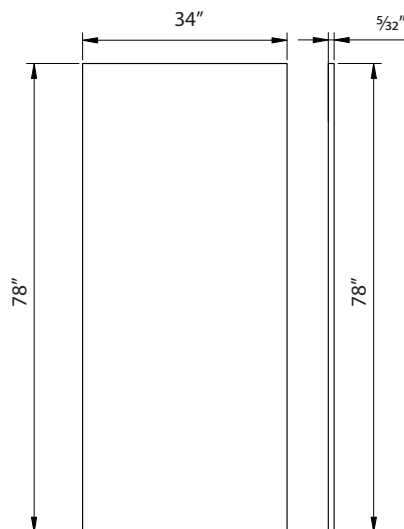
Constructed of SPC Rigid Core board

Waterproof, fire proof, and high resistance to impact and chemicals

Backed by a 10-Year Residential and 2-Year Commercial Warranty



Side Panel Dimensions



Back Panel Dimensions

